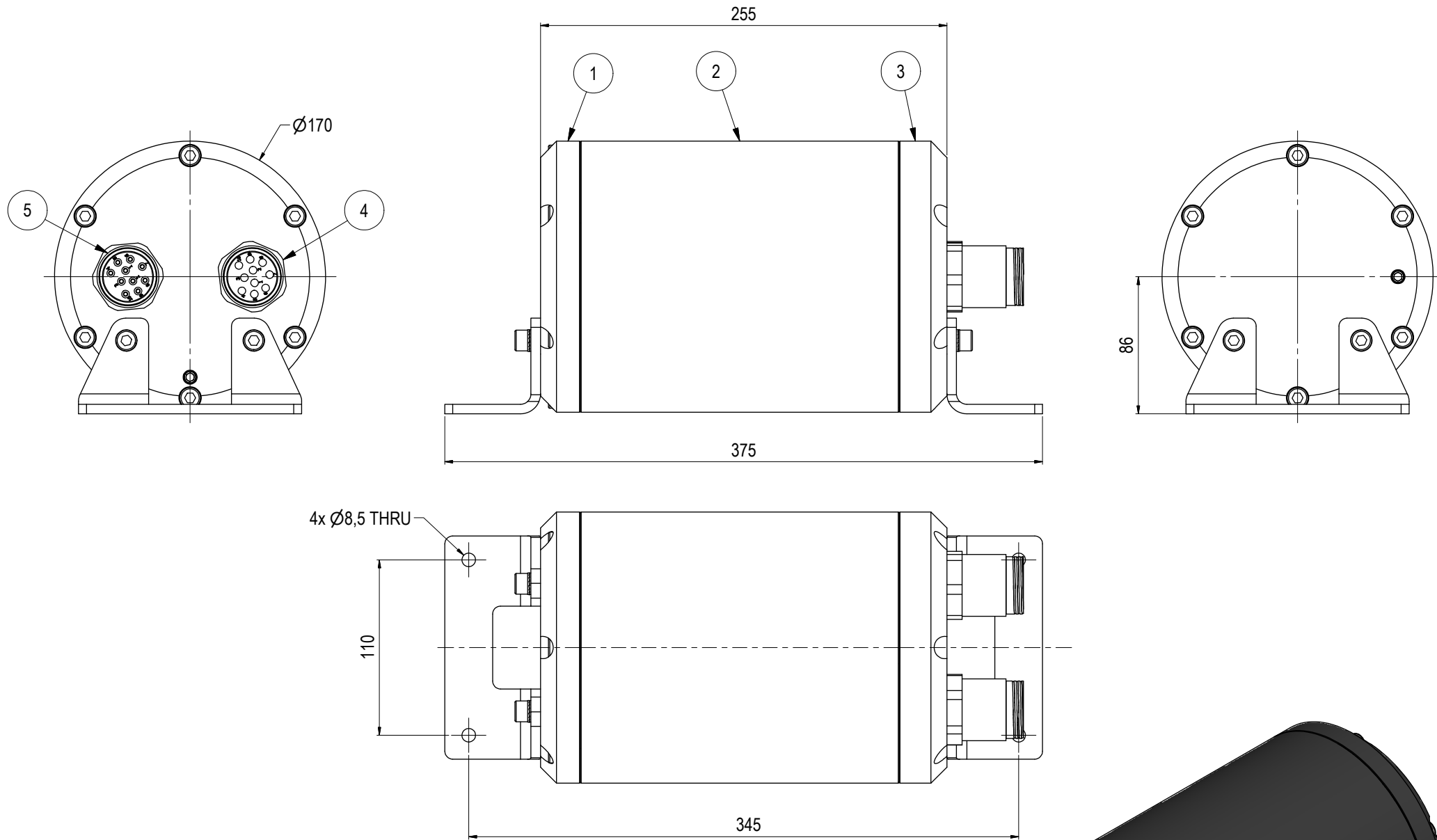


Parts List				
ITEM	QTY	PART No.	DESCRIPTION	MATERIAL
1	1	BA7106	Flange Housing PFC	AL 6082 T6
2	1	BA6785	Housing PFC	AL 6082 T6
3	1	BA6784	End Flange Housing PFC	AL 6082 T6
4	1	100782	Connector Subconn BCR2410F	Stainless Steel
5	1	100780	Connector Subconn BCR2410M	Stainless Steel



NOTE: 1

DESIGN CODE:

N/A

NOTE: 2

TECHNICAL CLASSIFICATION:

Article Type: 006-El. Connectors

Main Group: 6.01. Subsea USB

Intermediate Group: 6.28.04. 0,9-3,6KW Subsea USB

Sub Group: 6.28.157.00. Generic

NOTE: 3

INTERFACE INFORMATION:

Pressure Rating Bar: 300 (3000m)

Material: Hard Anodized Aluminium

Weight: 11,1 kg

Volume: 5,94 dm³

Surface Area: 13213 cm²

Hydraulic: N/A

Mechanical: Flange Mount.

Electrical: In: 100-250 VAC/145-350 VDC Out: 370 VDC

Com. & Protocol: Pin to Pin, Ethernet, RS232 Feed through

NOTE:

OPERATION & MAINTENANCE INFORMATION:

600128-TD-0013

NOTE: 5

ADDITIONAL INFORMATION:

The Blue Logic 2kW Power Supply is an atmospheric air filled canister which converts the ROV supplied voltage (100-250 VAC or 145-350 VDC) to 370 VDC voltage required for the primary Subsea-USB connector. The Power Supply will typically be installed onto the ROV frame at a suitable place, and is equipped with input and output connectors for power & communication. All power & communication signals will go through the 2 kW Power Supply canister before connected to the primary connector.

The unit is designed for intervention applications. Canister material is hard anodized aluminium.

Design proof pressure - 365Bar.

Max allowable working pressure - 304Bar

Communication speed RS232 - Approx. 230 kbps

Communication speed Ethernet - Approx. 80 Mbps - (half Duplex)

Operating ambient temperature (0-30°C)

Storage temperature (-30-55°C for one month continuously)

NOTE 6

Connector Housing is atmospheric and not compensated

NOTE 7

Subconn Pin Configuration:

PFC input with RS232		PFC output with RS232	
Connector: Subconn BCR2410M		Connector: Subconn BCR2410F	
Pin #	Signal	Pin #	Signal
Pin 1	100-250VAC / 145-350VDC	Pin 1	370VDC
Pin 2	100-250VAC / 0 VDC	Pin 2	0 VDC
Pin 3	CHASSIS	Pin 3	CHASSIS
Pin 4	RS232RX (input)	Pin 4	RS232RX (input)
Pin 5	RS232TX (output)	Pin 5	RS232TX (output)
Pin 6	RS232GND	Pin 6	RS232GND
Pin 7	TX_p	Pin 7	TX_p
Pin 8	TX_n	Pin 8	TX_n
Pin 9	RX_p	Pin 9	RX_p
Pin 10	RX_n	Pin 10	RX_n

12	8.10.2024	9-IFU (Issued for Use)		WTJ	LGH	WTJ
11	21.1.2020	9-IFU (Issued for Use)		WTJ	LGH	WTJ
10	23.10.2019	9-IFU (Issued for Use)		WTJ	LGH	WTJ
09	23.8.2019	9-IFU (Issued for Use)		WTJ	LGH	WTJ
Rev.	Date	Reason for issue	Revision change	Made	Chk'd	Appr.

BLUE LOGIC

This Drawing is the Property of Blue Logic AS © and must Not be Loaned, Reproduced or Transferred to others without written Permission

Dwg Scale:
NTS
Dwg Proj:
Dwg Format:
A3

Drawing title:
BL Power Supply 2kW

Drawing number:
BA7719

Rev
12